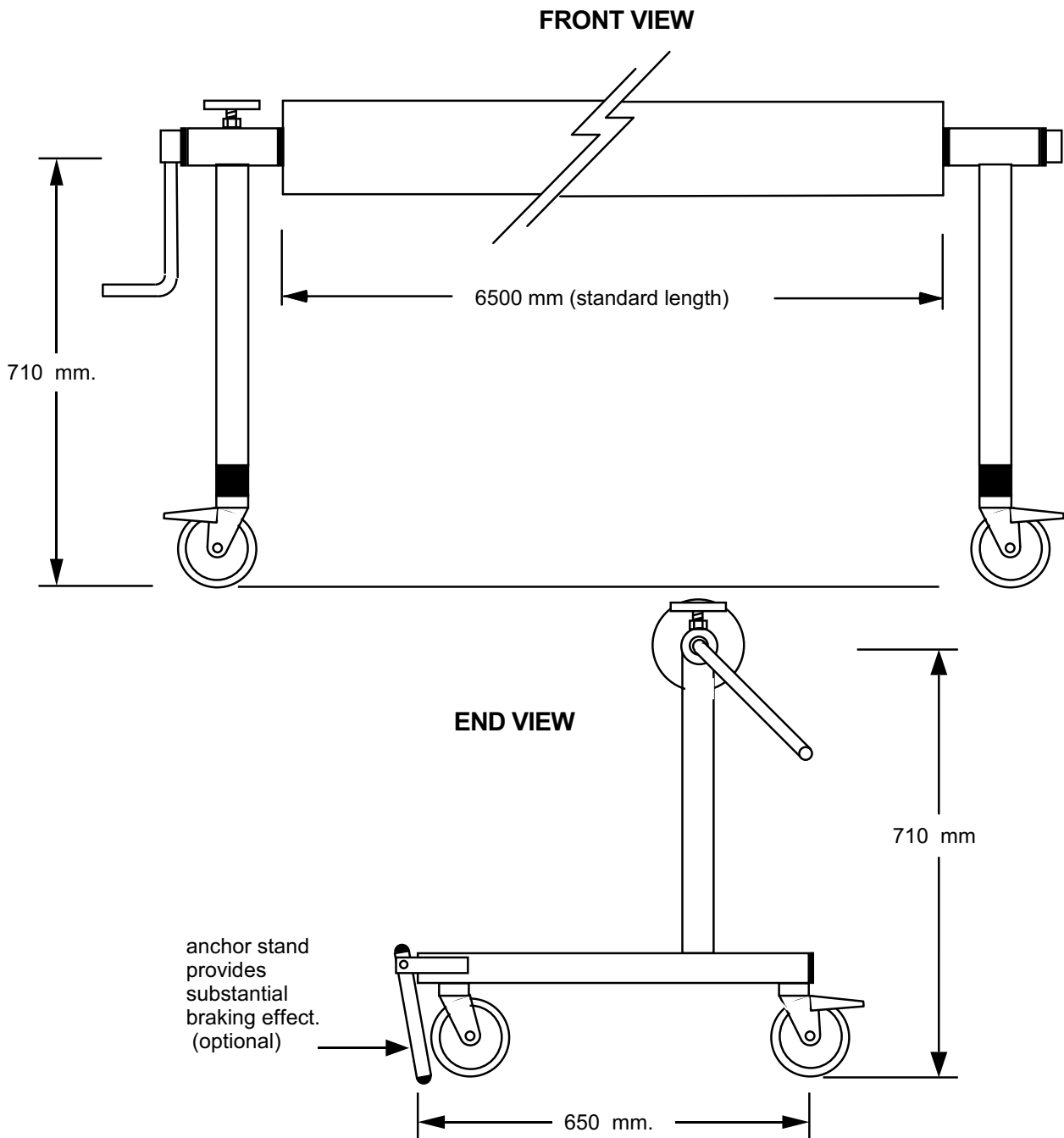


## 150S Pool Cover Roller

- Roller: Anodised aluminium 152 mm Dia.
- Frame: stainless steel RHS.
- Shaft: stainless steel.
- Crank handle: stainless steel.
- Bearing: stainless steel housing, acetal bearing.
- Wheel: nylon, stainless steel swivel castor with brake.



## 150S Pool Cover Roller: Fixed roller version

**Roller:** Anodised aluminium 152 mm Dia.

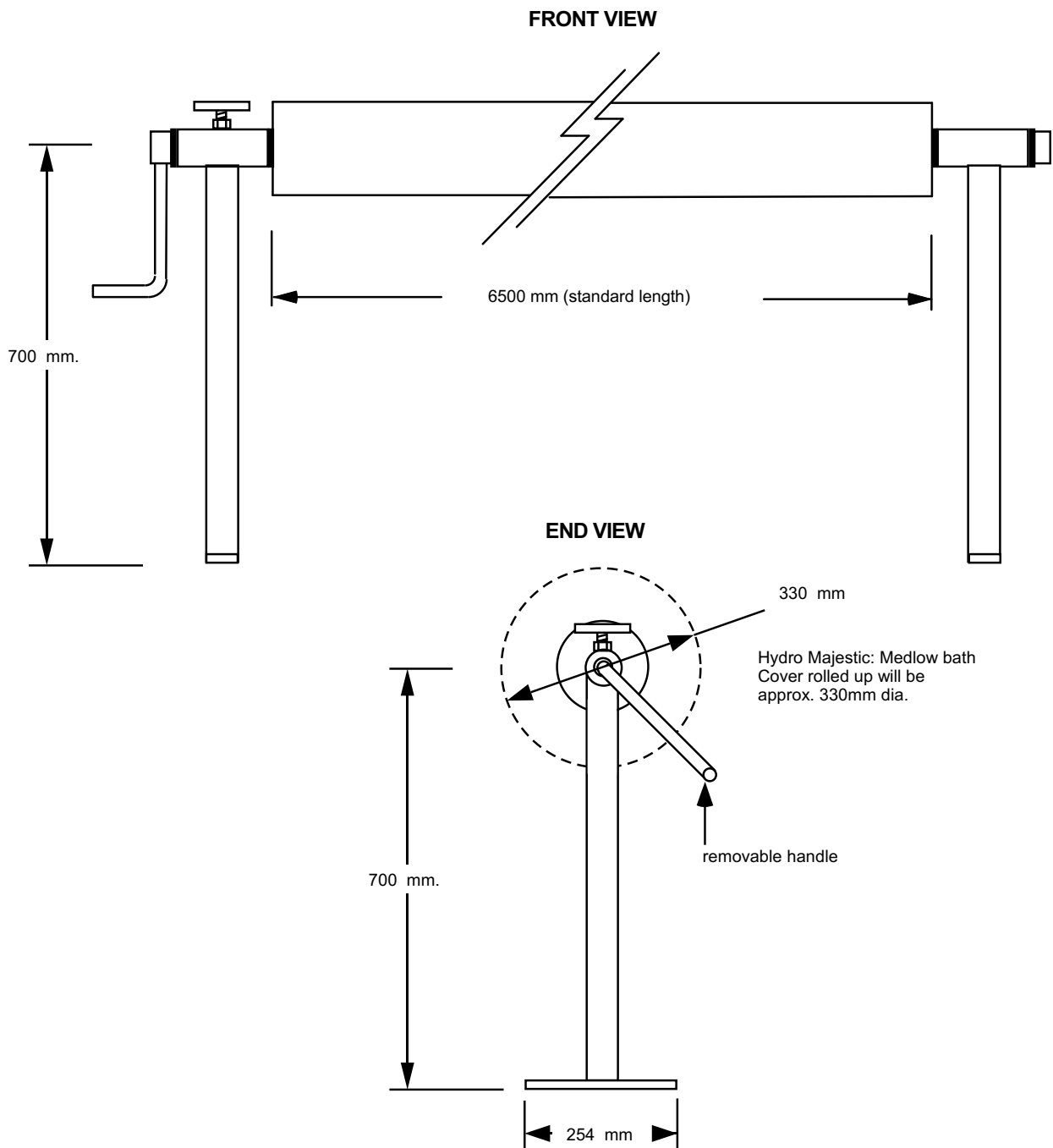
**Frame:** stainless steel RHS.

**Shaft:** stainless steel.

**Crank handle:** stainless steel.

**Bearing:** stainless steel housing, acetal bearing.

**Fixing bolts:** stainless steel sleeve anchors.

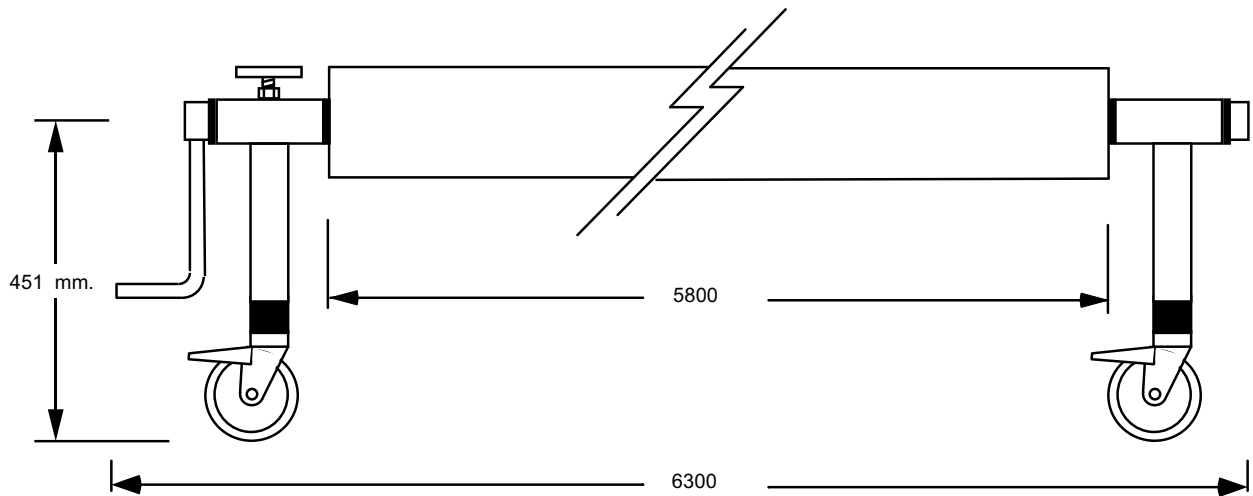


REDUCED HEIGHT VERSION

## 150S Pool Cover Roller

- Roller: Anodised aluminium 152 mm Dia.
- Frame: stainless steel RHS.
- Shaft: stainless steel.
- Crank handle: stainless steel.
- Bearing: stainless steel housing, acetal bearing.
- Wheel: nylon, stainless steel swivel castor with brake.

FRONT VIEW



END VIEW

