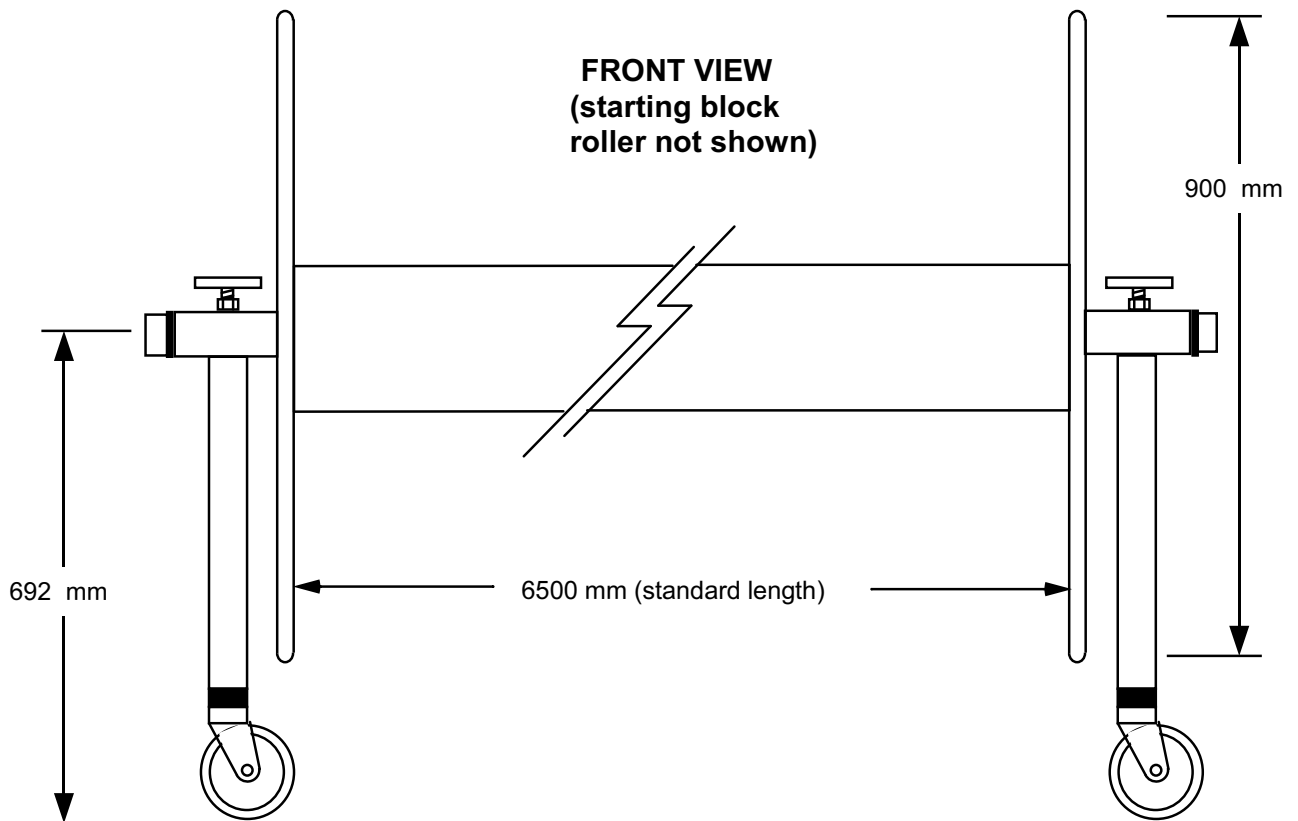
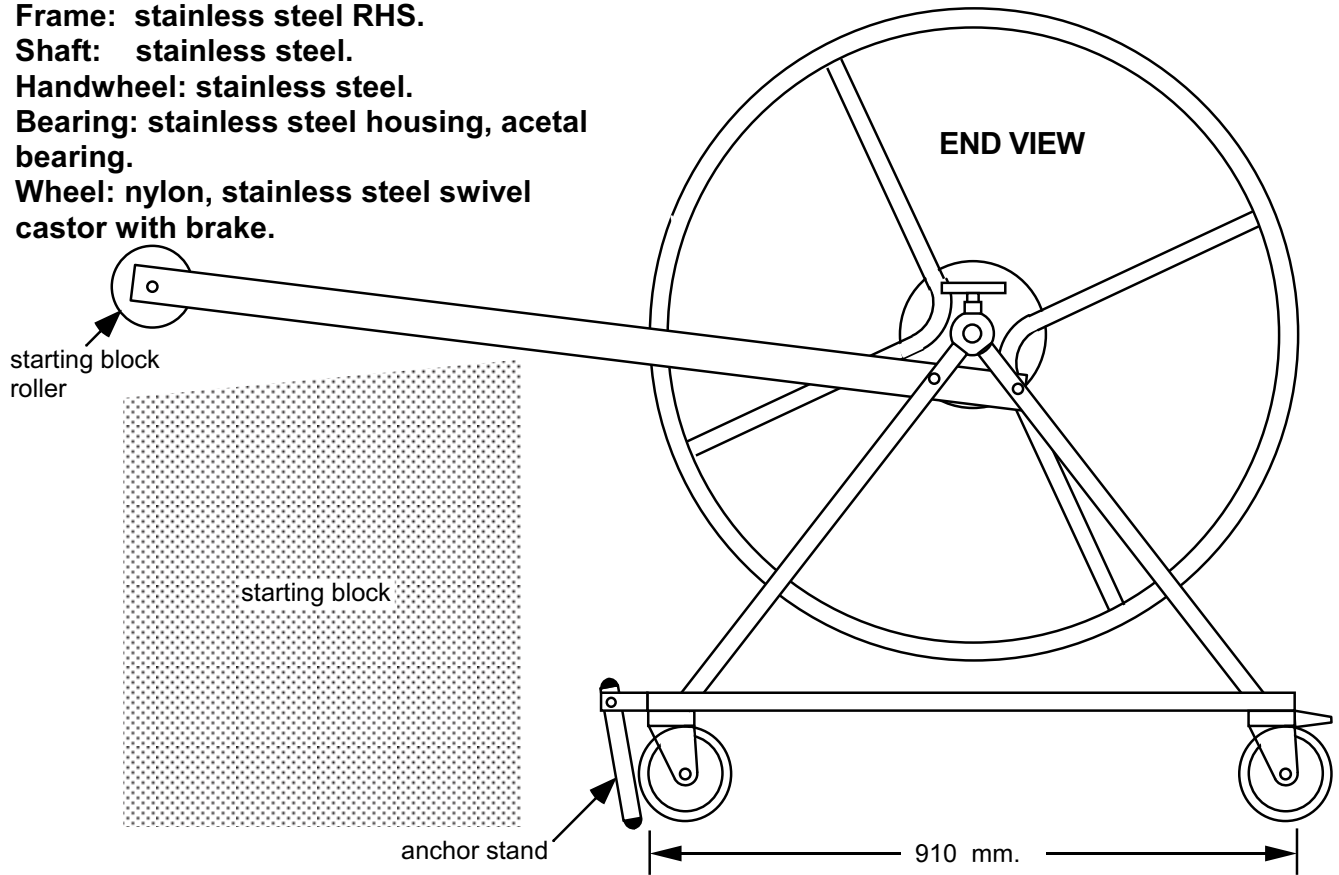


## 200S Pool cover roller with starting block roller attached.

- Roller: Anodised aluminium 203mm Dia.
- Frame: stainless steel RHS.
- Shaft: stainless steel.
- Handwheel: stainless steel.
- Bearing: stainless steel housing, acetal bearing.
- Wheel: nylon, stainless steel swivel castor with brake.



## 200S Pool cover roller

Roller: Anodised aluminium 203mm Dia.

Frame: stainless steel RHS.

Shaft: stainless steel.

Handwheel: stainless steel.

Bearing: stainless steel housing, acetal bearing.

Wheel: nylon, stainless steel swivel castor with brake.

