

Stationary Pool Cover Roller

Roller: Anodised aluminium 114 mm Dia.

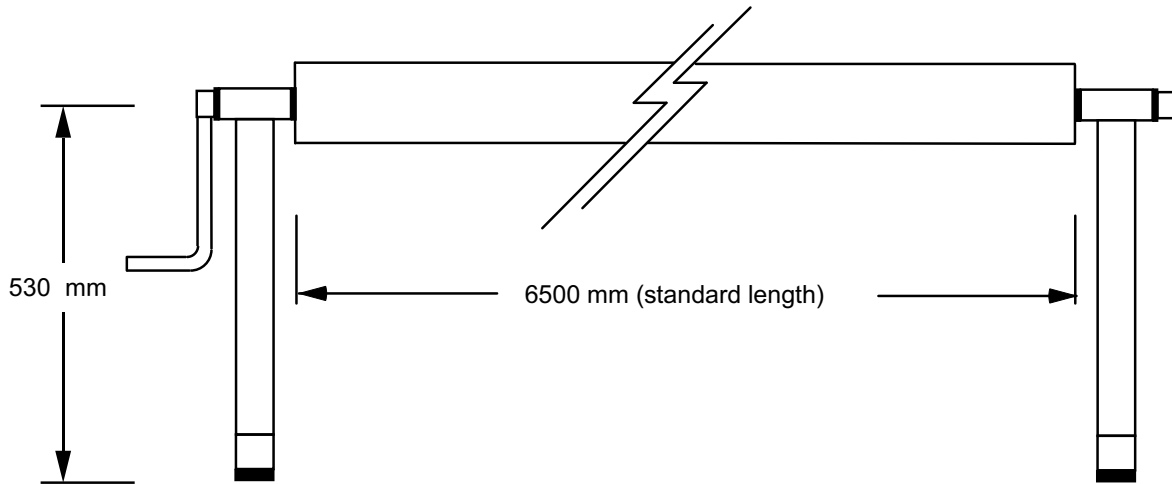
Frame: stainless steel RHS.

Shaft: stainless steel.

Crank handle: stainless steel.

Bearing: stainless steel housing, acetal bearing.

FRONT VIEW



END VIEW

